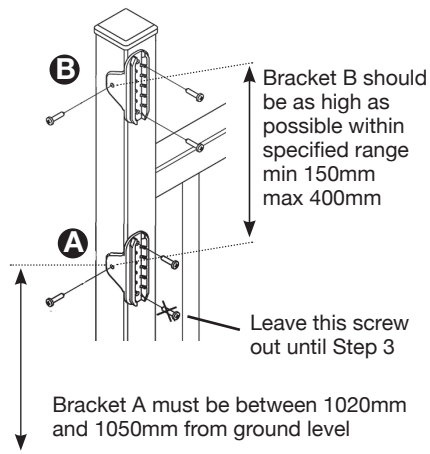
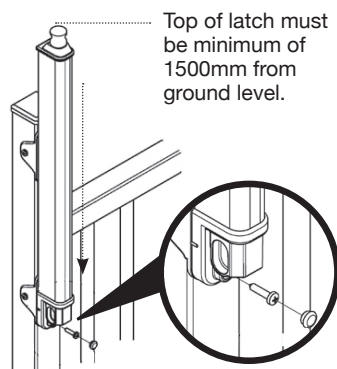


G8SAFE TRILATCH EASY INSTALLATION

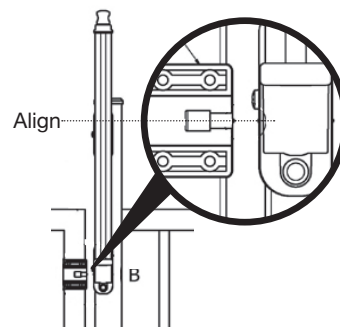
STEP 1 & 2



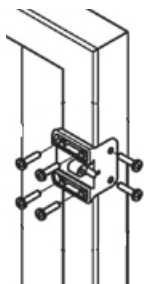
STEP 3



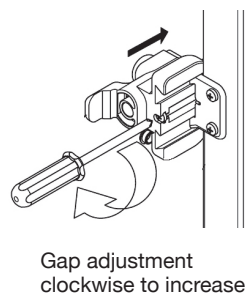
STEP 4



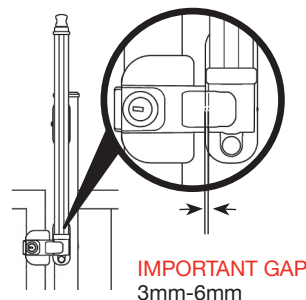
STEP 5



STEP 6



STEP 7



LATCH

1. Position latch bracket A (lower bracket) between 1020mm & 1050mm from ground level. Fix to post with two screws, leaving the bottom screw out until later (Step. 3).
2. Place latch bracket B (upper bracket) as high as possible within specified range from bracket A – min. 150mm, max 400mm.
3. Starting at the top slide latch body fully down onto brackets, then screw to lower bracket.

STRIKER

4. Align Striker bracket with latch using the alignment notches.
5. Screw bracket to gate using screws provided.
6. Slide Striker onto bracket, fix using adjuster screw
7. Adjust striker clearance 3mm-6mm turn adjuster screw clockwise to increase.